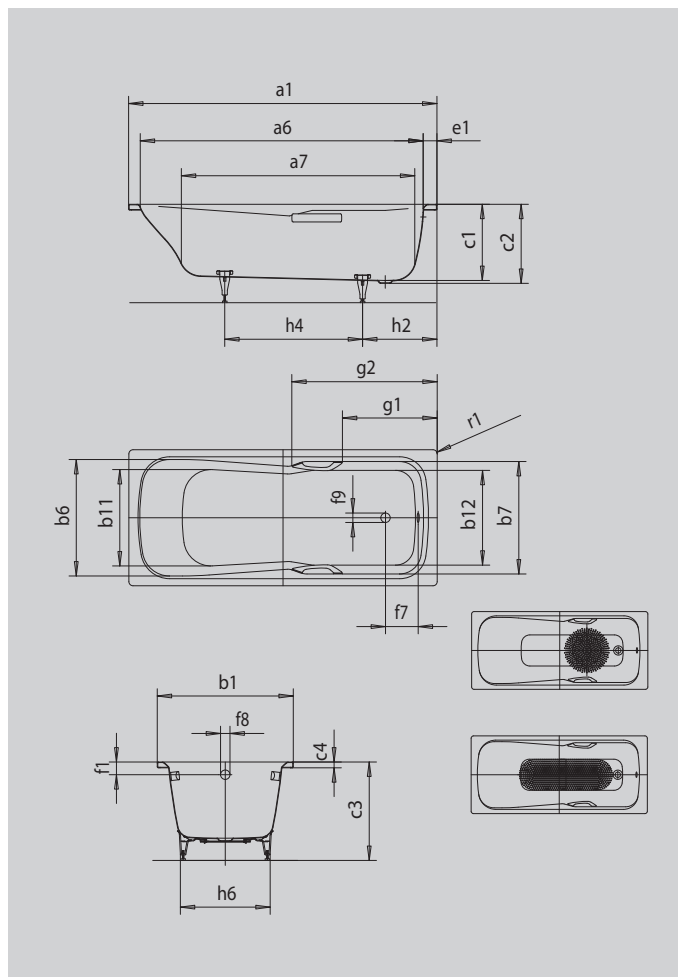


DYNA SET DYNA SET STAR

- one-seater bath with waste at foot end
- combi-bath suitable for bathing and showering
- also available with grips
- made of KALDEWEI steel enamel



Similar illustration



| | | |
|--|------------------|--------------|
| Model | | 620 |
| External length | a_1 | 1700 mm |
| Internal length (top) | a_6 | 1565 mm |
| Internal length (bottom) | a_7 | 1230 mm |
| External width | b_1 | 750 mm |
| Internal width (top) | $b_6; b_7$ | 640; 620 mm |
| Internal width (bottom) | $b_{11}; b_{12}$ | 500; 520 mm |
| Depth inside | c_1 | 420 mm |
| Depth incl. waste hole | c_2 | 430 mm |
| Height with feet | c_3 | 561 - 586 mm |
| Height of rim | c_4 | 32 mm |
| Width of rim (foot end) | e_1 | 75 mm |
| Distance top edge to centre of overflow hole | f_1 | 70 mm |
| Distance bath edge to centre of waste hole | f_2 | 285 mm |
| Distance centre of waste hole to centre of overflow hole | f_7 | 206 mm |
| Diameter of overflow hole | f_8 | Ø 52 mm |
| Diameter of waste hole | f_9 | Ø 52 mm |
| Distance foot end of bath edge to centre of foot | h_2 | 410 mm |
| Distance between the feet | h_4 | 760 mm |
| Width of feet max. | h_6 | 495 mm |
| External radius | r_1 | 23 mm |
| Water volume | | 169 l |
| Net weight | | 53 kg |
| Diameter of anti-slip | | Ø 435 mm |
| Full anti-slip | | 900 x 300 mm |