

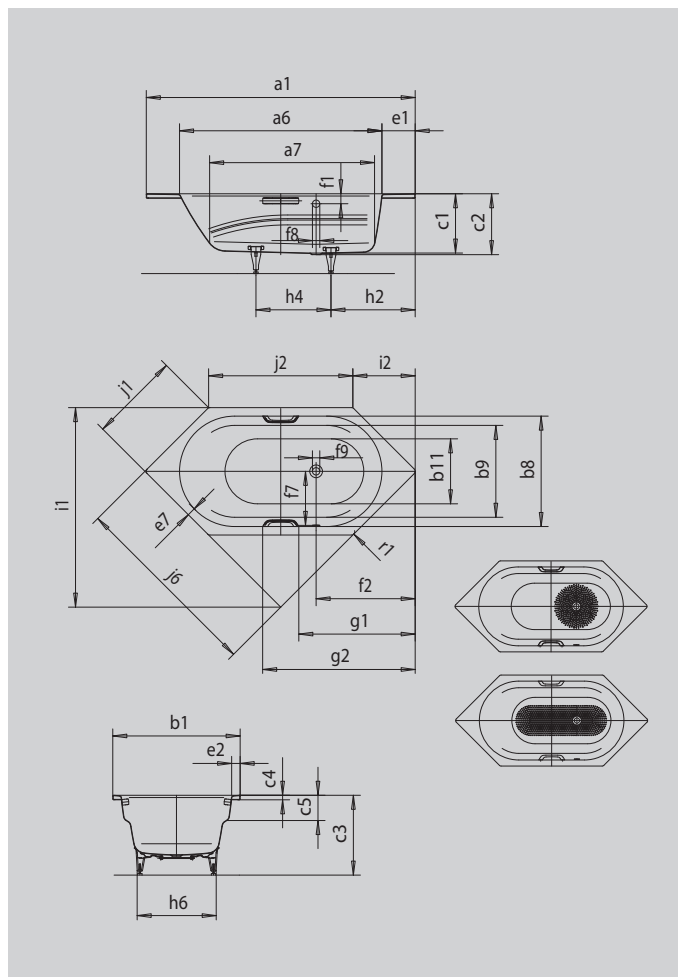
# VAIO 6

## VAIO 6 STAR

- one-seater bath with side overflow, generous width and integrated arm rests
- diverse installation possibilities, also corner installation
- also available with grips
- made of KALDEWEI steel enamel



Similar illustration



Model		958
External length	a <sub>1</sub>	1900 mm
Internal length (top)	a <sub>6</sub>	1430 mm
Internal length (bottom)	a <sub>7</sub>	1165 mm
External width	b <sub>1</sub>	900 mm
Internal width (bottom)	b <sub>11</sub>	600 mm
Internal width bathing area (with; without armrest)	b <sub>8</sub> ; b <sub>9</sub>	780; 650 mm
Depth inside	c <sub>1</sub>	420 mm
Depth incl. waste hole	c <sub>2</sub>	430 mm
Height with feet	c <sub>3</sub>	555 - 585 mm
Height of rim	c <sub>4</sub>	32 mm
Armrest depth	c <sub>5</sub>	178 mm
Width of rim side	e <sub>1</sub>	58 mm
Width of rim (foot end; long side)	e <sub>2</sub> ; e <sub>3</sub>	235; 60 mm
Distance top edge to centre of overflow hole	f <sub>1</sub>	70 mm
Distance bath edge to centre of waste hole	f <sub>2</sub>	700 mm
Distance centre of waste hole to centre of overflow hole	f <sub>7</sub>	380 mm
Diameter of overflow hole	f <sub>8</sub>	Ø 52 mm
Diameter of waste hole	f <sub>9</sub>	Ø 52 mm
Distance foot end of bath edge to centre of foot	h <sub>2</sub>	595 mm
Distance between the feet	h <sub>4</sub>	530 mm
Width of feet max.	h <sub>6</sub>	575 mm
Installation dimension	i <sub>1</sub>	1409 mm
Angled edge	i <sub>2</sub>	440 mm
Side length	j <sub>6</sub>	1357 mm
Length of sides	j <sub>1</sub> ; j <sub>2</sub>	636; 1019 mm
External radius	r <sub>1</sub>	23 mm
Water volume		145 l
Net weight		47 kg
Diameter of anti-slip		Ø 435 mm
Full anti-slip		900 x 300 mm