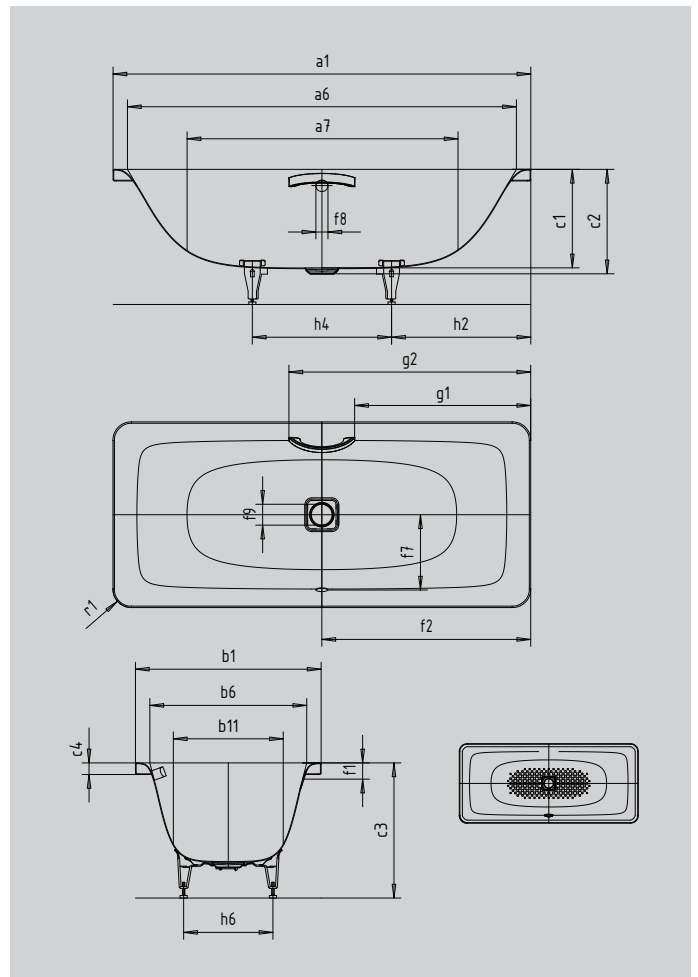


# INCAVA

- this bath defines itself by its organically flowing interior
- sensually soft corner radius
- the precise, striking wall surrounds the bath like a picture frame lending it a sculptural character
- also available with grip on one side
- enamelled waste cover and overflow knob integrated in the bath design (also available with filling function)
- bathing with a friend: two identical back rests and centrally positioned waste
- made of KALDEWEI steel enamel
- designed by Anke Salomon



Similar illustration



Model		172
External length	a <sub>1</sub>	1700 mm
Internal length (top)	a <sub>6</sub>	1576 mm
Internal length (bottom)	a <sub>7</sub>	1112 mm
External width	b <sub>1</sub>	750 mm
Internal width (top)	b <sub>6</sub>	626 mm
Internal width (bottom)	b <sub>11</sub>	423 mm
Depth inside	c <sub>1</sub>	400 mm
Depth incl. waste hole	c <sub>2</sub>	425 mm
Height with feet	c <sub>3</sub>	544 - 583 mm
Height of rim	c <sub>4</sub>	50 mm
Distance top edge to centre of overflow hole	f <sub>1</sub>	70 mm
Distance bath edge to centre of waste hole	f <sub>2</sub>	850 mm
Distance centre of waste hole to centre of overflow hole	f <sub>7</sub>	293 mm
Diameter of overflow hole	f <sub>8</sub>	Ø 52 mm
Diameter of waste hole	f <sub>9</sub>	Ø 90 mm
Distance bath edge (foot end) to start of grip	g <sub>1</sub>	708 mm
Distance bath edge (foot end) to end of grip	g <sub>2</sub>	992 mm
Distance foot end of bath edge to centre of foot	h <sub>2</sub>	566 mm
Distance between the feet	h <sub>4</sub>	568 mm
Width of feet max.	h <sub>6</sub>	340 mm
External radius	r <sub>1</sub>	80 mm
Water volume		96 l
Net weight		43 kg
Full anti-slip		780 x 252 mm