

# MEISTERSTÜCK

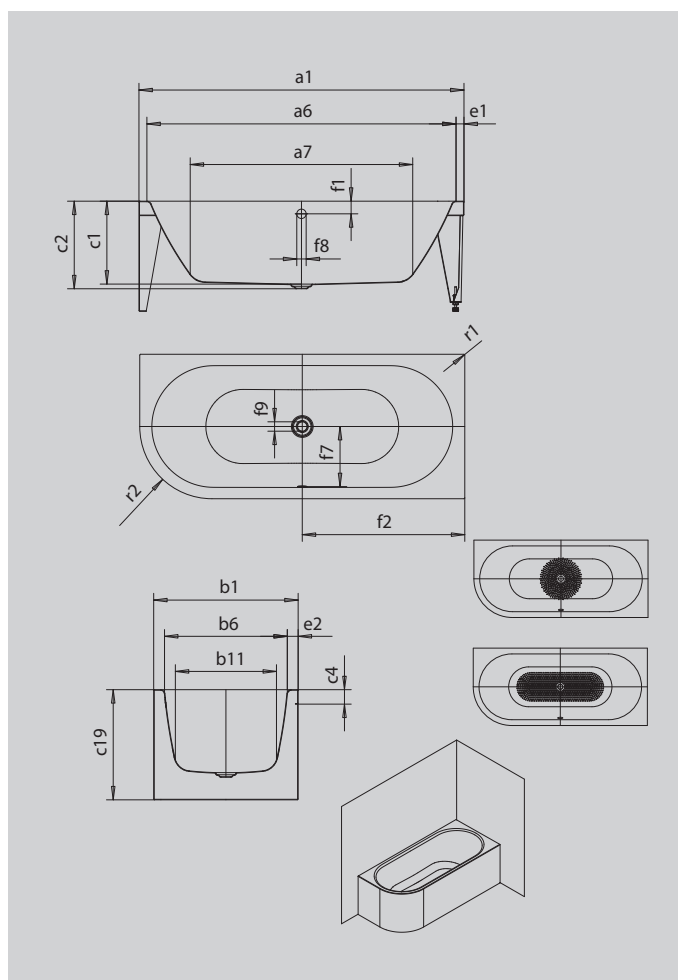
## CENTRO DUO 1 LEFT

### CORNER INSTALLATION LEFT (2-SIDED)

- bath made of high-quality steel enamel with enamelled panelling on two sides
- specially designed for corner installation
- available as right or left-hand model
- with exclusive easy-clean finish
- pure simplicity and unpretentious elegance are what distinguish these baths
- enamelled waste cover and overflow knob integrated in the bath design (also available with filling function)
- made of KALDEWEI steel enamel



Similar illustration



Model		1136
External length	$a_1$	1800 mm
Internal length (top)	$a_6$	1680 mm
Internal length (bottom)	$a_7$	1230 mm
External width	$b_1$	800 mm
Internal width (top)	$b_6$	680 mm
Internal width (bottom)	$b_{11}$	560 mm
Depth inside	$c_1$	460 mm
Depth incl. waste hole	$c_2$	485 mm
Height of rim	$c_4$	80 mm
Height of bath	$c_{19}$	610 mm
Width of rim (foot end; long side)	$e_1, e_2$	60; 60 mm
Distance top edge to centre of overflow hole	$f_1$	70 mm
Distance bath edge to centre of waste hole	$f_2$	900 mm
Distance centre of waste hole to centre of overflow hole	$f_7$	332 mm
Diameter of overflow hole	$f_8$	Ø 52 mm
Diameter of waste hole	$f_9$	Ø 52 mm
External radius	$r_1$	5 mm
External radius	$r_2$	400 mm
Water volume		195 l
Waste connection diameter		Ø 40/50
Fill fitting connection		1/2"
Net weight		110 kg
Diameter of anti-slip		Ø 435 mm
Full anti-slip		900 x 300 mm