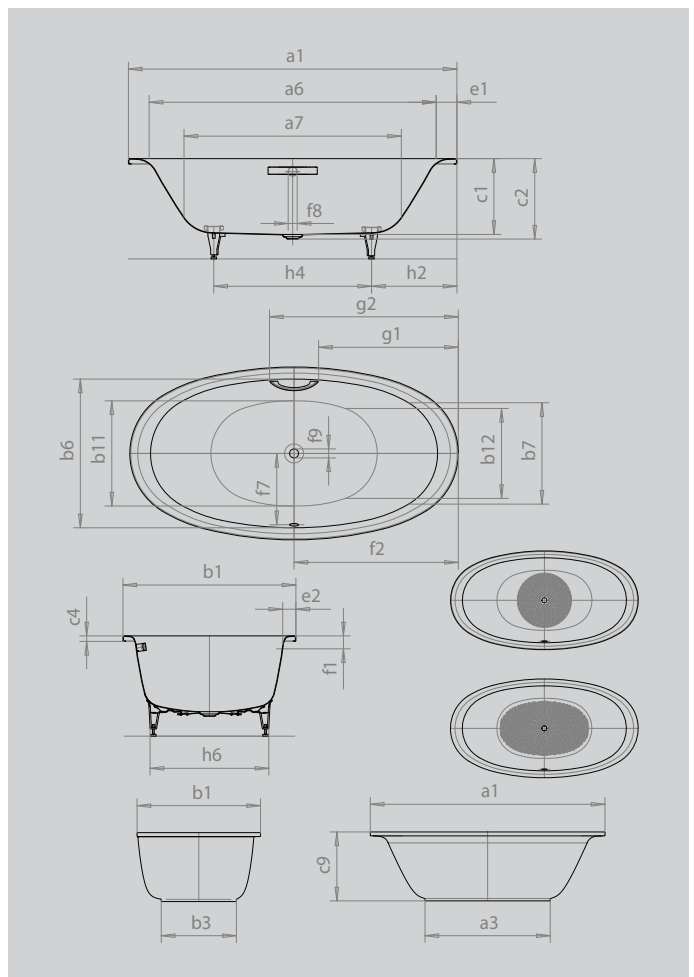


ELLIPSO DUO OVAL FREESTANDING

- gently shaped shoulder rest for more pleasure and comfort
- elliptical exterior form reflects the interior form
- enamelled waste cover and overflow knob integrated in the bath design (also available with filling function)
- the moulded panel emphasises the high design standard and enables the bath to be free-standing
- bathing with a friend: two identical back rests and centrally positioned waste
- made of KALDEWEI steel enamel



Similar illustration



GRIP DISCREET OPULENCE



Model		232
External length	a ₁	1900 mm
External length (bottom)	a ₃	1013 mm
Internal length (top)	a ₆	1660 mm
Internal length (bottom)	a ₇	1260 mm
External width	b ₁	1000 mm
External width (bottom)	b ₃	608 mm
Internal width (top)	b ₆ ; b ₇	860; 585 mm
Internal width (bottom)	b ₁₁ ; b ₁₂	610; 520 mm
Depth inside	c ₁	440 mm
Depth incl. waste hole	c ₂	465 mm
Height of rim	c ₄	32 mm
Overall height with panel	c ₉	558 mm
Width of rim (foot end; long side)	e ₁ ; e ₂	120; 65 mm
Distance top edge to centre of overflow hole	f ₁	75 mm
Distance bath edge to centre of waste hole	f ₂	950 mm
Distance centre of waste hole to centre of overflow hole	f ₇	421 mm
Diameter of overflow hole	f ₈	Ø 52 mm
Diameter of waste hole	f ₉	Ø 52 mm
Distance bath edge (foot end) to start of grip	g ₁	808 mm
Distance bath edge (foot end) to end of grip	g ₂	1092 mm
Distance foot end of bath edge to centre of foot	h ₂	585 mm
Distance between the feet	h ₄	730 mm
Width of feet max.	h ₆	620 mm
Water volume		214 l
Net weight		76 kg
Diameter of anti-slip		Ø 587 mm
Full anti-slip		900 x 546 mm