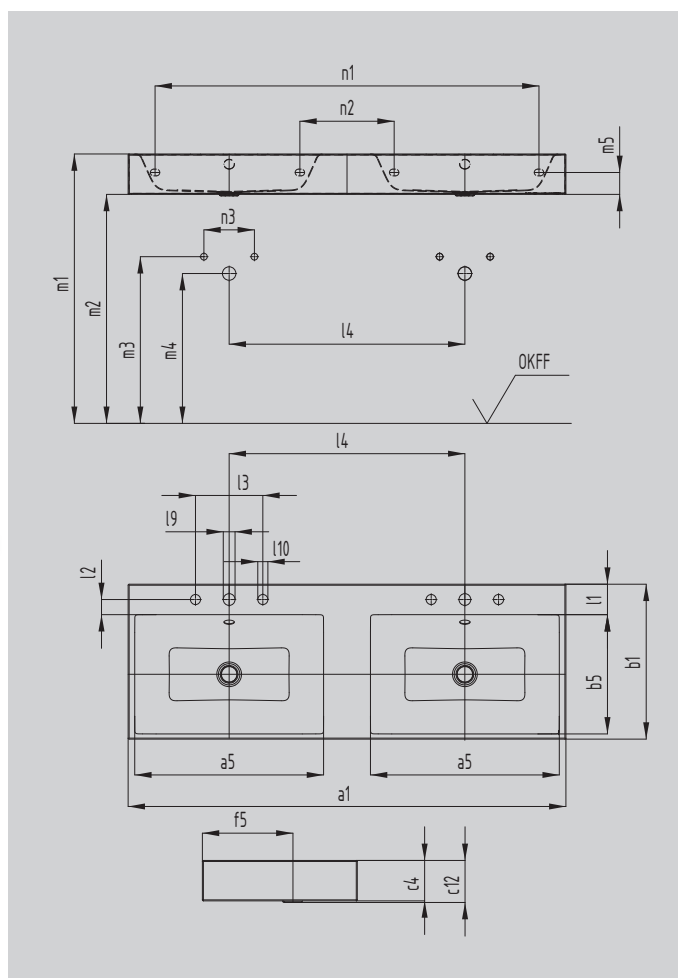


PURO WALL-HUNG TWIN WASHBASIN

- elegant rectangular washbasin in a classically minimalist design
- reduced precise edges
- very generous interior dimensions
- clean and timeless lines – immortalised in long-lasting KALDEWEI steel enamel
- harmonises perfectly with the PURO bath series
- designed by Anke Salomon



Similar illustration



Model		3170
External length	a_1	1300 mm
Internal length	a_5	560 mm
External width	b_1	460 mm
Internal width	b_5	354 mm
Height of rim	c_4	120 mm
Distance basin surface to bottom edge of waste hole	c_{12}	125 mm
Distance rear edge to centre of waste hole	f_5	268 mm
Depth of tap deck	l_1	91 mm
Distance tap holes to edge	l_2	45 mm
Distance external tap holes (for 3 tap holes)	l_3	200 mm
Distance between tap holes	l_4	700 mm
Diameter of centre tap hole	l_9	Ø 35 mm
Diameter of outside tap hole (for 3 tap holes only)	l_{10}	Ø 30 mm
Distance FF to top edge basin surface	m_1	820 - 850 mm
Distance FF to bottom edge	m_2	700 - 730 mm
Distance FF to centre of water inlet	m_3	570 - 600 mm
Distance FF to centre of waste hole wall connection	m_4	520 - 580 mm
Distance bottom edge to centre of fixing hole	m_5	65 mm
External distance of fixing holes	n_1	1140 mm
Internal distance of fixing holes	n_2	280 mm
Distance hot/cold water inlet	n_3	80 - 150 mm
Net weight		25 kg