

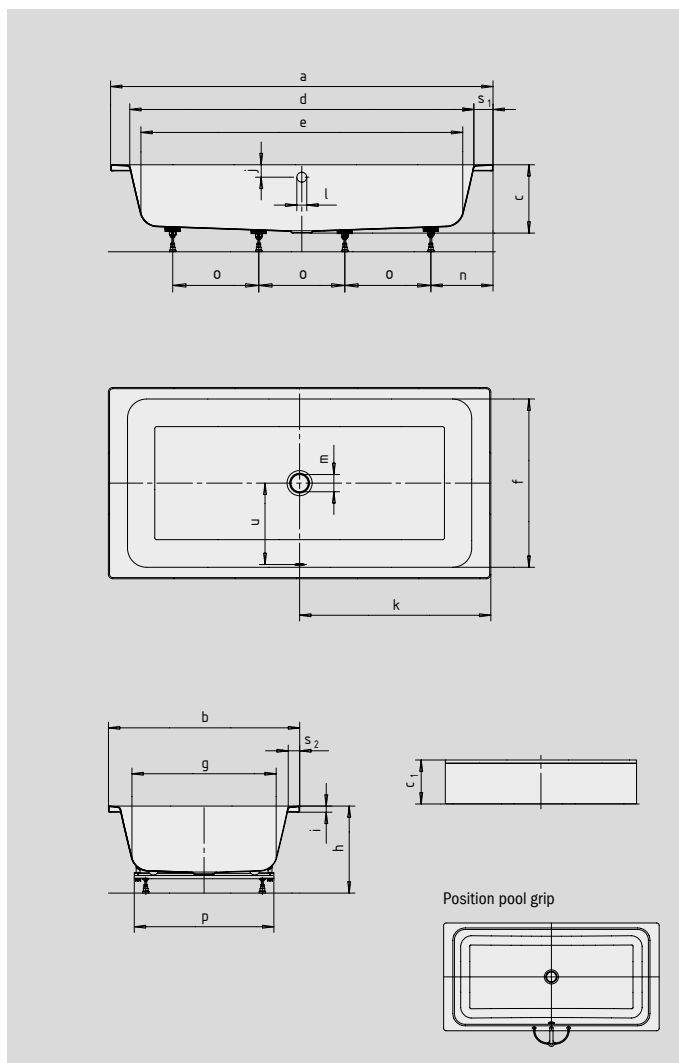
# BASSINO

## BASSINO WITH MOULDED PANEL

- straightlined, purist design
- suitable for use as a shower bath
- made of KALDEWEI steel enamel
- also available with panel



Similar illustration



Model No.		144
External length	a	2000 mm
External width	b	1000 mm
Depth	c	355 mm
Overall height with panel	c <sub>1</sub>	460 mm
Internal length (top)	d	1800 mm
<b>Internal length (bottom)</b>	<b>e</b>	<b>1680 mm</b>
Internal width (top)	f	880 mm
Internal width (bottom)	g	755 mm
Height with feet	h	455-470 mm
Height of rim	i	32 mm
Distance top edge to centre of overflow hole	j	65 mm
Distance bath edge to centre of drain hole	k	1000 mm
Diameter of overflow hole	l	52 mm
Diameter of drain hole	m	90 mm
Distance foot end of bath edge to centre of foot	n	325 mm
Distance between the feet	o	450 mm
Max. width of feet	p	730 mm
Width of rim (foot end; lengthwise)	s <sub>1</sub> ; s <sub>2</sub>	100; 60 mm
Distance between centre holes	u	425 mm
Water volume** in litres		240
Weight of the enamelled bath in kg		70

Subject to technical alterations, tolerances and errors. Similar illustration.  
 \*\* 70 litres displacement on average.

**KALDEWEI**