

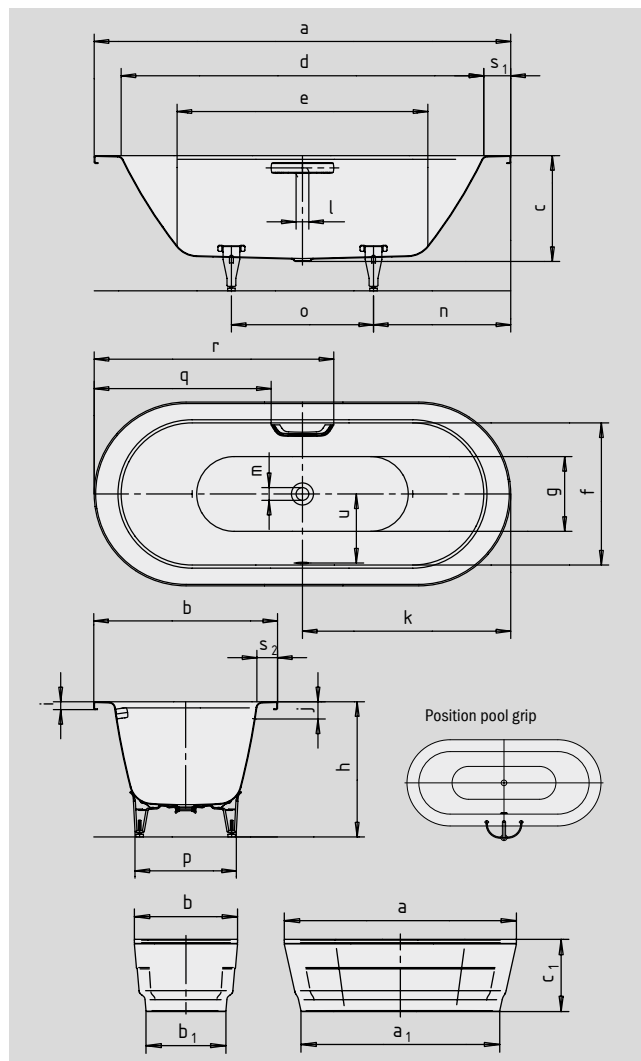
CLASSIC DUO OVAL WIDE CLASSIC DUO OVAL WIDE WITH MOULDED PANEL

- pure simplicity and unpretentious elegance are what distinguish these baths
- generously designed rim for individual tap positioning
- bathing with a friend: two identical back rests and centrally positioned waste
- made of KALDEWEI steel enamel
- the moulded panel emphasises the high design standard and enables the bath to be free-standing
- model available with 2 standard tap holes without extra charge (180 mm centres)



Similar illustration. Panelling made of coated special PUR (polyurethane).

To order the bath with pre-drilled grip holes on one side, please order model xxxx**1011**xxxx.



Grip DISCREET OPULENCE



Model No.		115	115-7
External length	a	1800	1800 mm
External length (bottom)	a ₁	-	1530 mm
External width	b	800	800 mm
External width (bottom)	b ₁	-	608 mm
Depth	c	430	430 mm
Overall height with panel	c ₁	-	560 mm
Internal length (top)	d	1580	1580 mm
Internal length (bottom)	e	1130	1130 mm
Internal width (top)	f	580	580 mm
Internal width (bottom)	g	450	450 mm
Height with feet	h	566-596	566-596 mm
Height of rim	i	32	32 mm
Distance top edge to centre of overflow hole	j	70	70 mm
Distance bath edge to centre of drain hole	k	900	900 mm
Diameter of overflow hole	l	52	52 mm
Diameter of drain hole	m	52	52 mm
Distance foot end of bath edge to centre of foot	n	610	610 mm
Distance between the feet	o	580	580 mm
Max. width of feet	p	400	400 mm
Distance bath edge to where grip/handle starts	q	772	772 mm
Distance bath edge to where grip/handle ends	r	1028	1028 mm
Width of rim (foot end; lengthwise)	s ₁ ; s ₂	110; 110	110; 110 mm
Distance between centre holes	u	280	280 mm
Water volume** in litres		114	114
Weight of the enamelled bath in kg		47	75
Anti-slip		∅ 288	∅ 288 mm
Full anti-slip		850 x 240	850 x 240 mm

Subject to technical alterations, tolerances and errors. Similar illustration.
** 70 litres displacement on average.

KALDEWEI