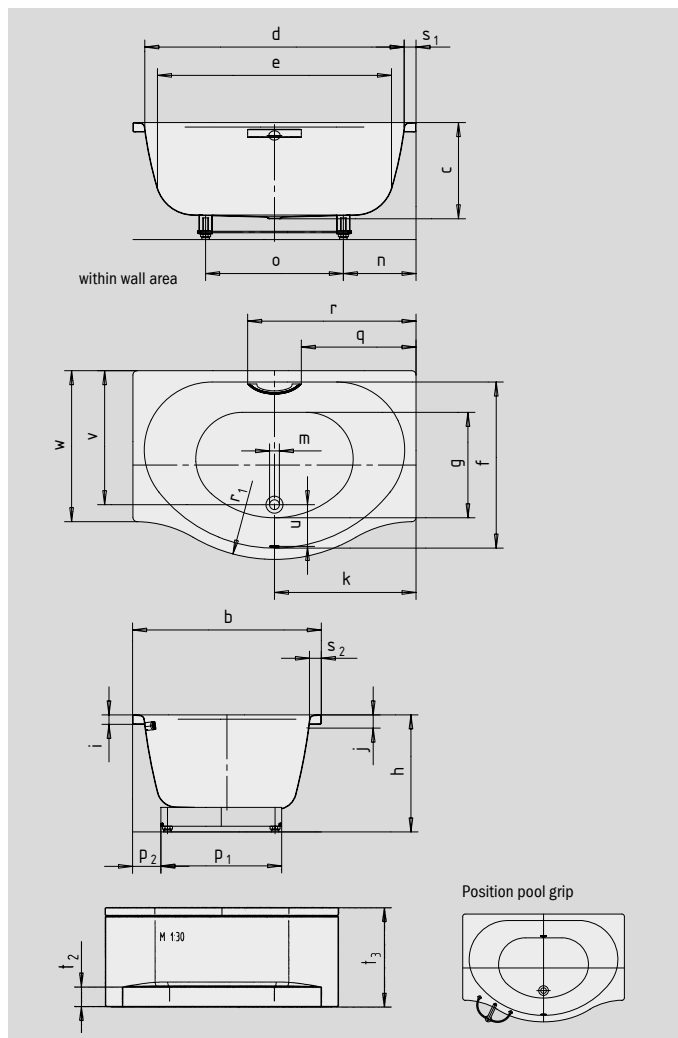


DUO POOL

- 50,5 cm deep bath for submerging
- lots of space and freedom of movement despite its compact external dimensions
- provides perfect bathing comfort even in small bathrooms
- made of KALDEWEI steel enamel
- also available with panel



Similar illustration



To order the bath with pre-drilled grip holes on one side, please order model xxxx**1011**xxxx.

GRIP DISCREET OPULENCE



(not for Mod. 150-2, 150-3)

Model No.		150
External length	a	1500 mm
External width	b	1000 mm
Depth	c	505 mm
Internal length (top)	d	1300 mm
Internal length (bottom)	e	1200 mm
Internal width (top)	f ₁ ; f ₂	880 mm
Internal width (bottom)	g	560 mm
Height with feet	h	620-640 mm
Height of rim	i	50 mm
Distance top edge to centre of overflow hole	j	70 mm
Distance bath edge to centre of drain hole	k	750 mm
Diameter of overflow hole	l	52 mm
Diameter of drain hole	m	52 mm
Distance foot end of bath edge to centre of foot	n	385 mm
Distance between the feet	o	730 mm
Max. width of feet	p ₁ ; p ₂	640; 150 mm
Distance bath edge (foot end) to where grip/handle starts	q	608 mm
Distance bath edge (foot end) to where grip/handle ends	r	892,5 mm
Width of rim (lengthwise; diagonal)	s ₁ ; s ₂	60; 60 mm
Height of base	t ₂	135 mm
Height with support and panel	t ₃	640 mm
Distance between centre holes	u	220 mm
Installation dimension	w	800 mm
Distance bath (lengthwise) to drain hole	v	710 mm
Water volume** in litres		240
Weight of the enamelled bath in kg		54
Anti-slip		Ø 435 mm
Full anti-slip		850 x 240 mm

Subject to technical alterations, tolerances and errors. Similar illustration.
 ** 70 litres displacement on average.

KALDEWEI