

# DUSCHPLAN XXL

- generous dimensions ideal for showering with a friend
- a classic among shower trays
- modern, clear design only 65 mm deep
- made of KALDEWEI steel enamel
- flush-fitting recessed waste cover  
(only in combination with the KA 90 waste fittings)

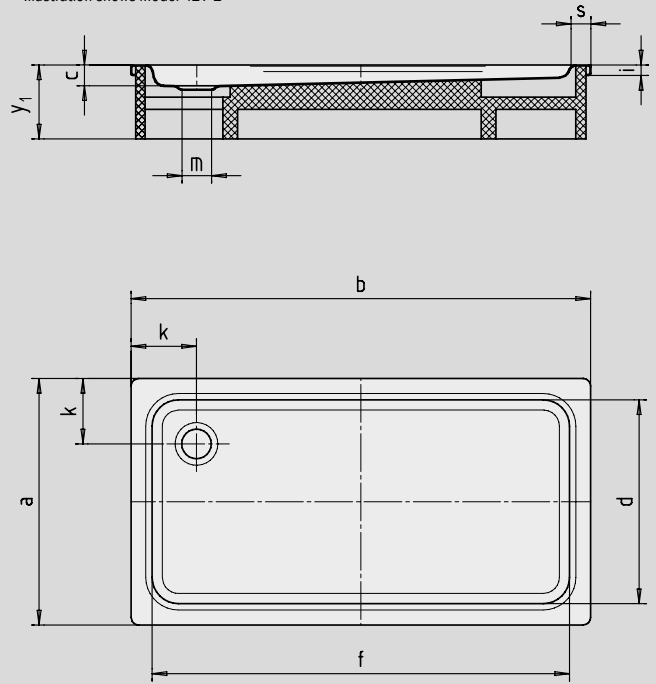


Similar illustration

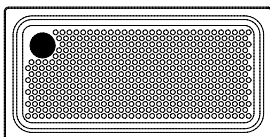
	Combined Tray & Waste depth	Waste fitting depth
KA 90	145	81
KA 90 extra flat	134	70
KA 90 ultra flat	125	61
KA 90 vertical	49	81

See page 275.

Illustration shows Model 427-2



Model No.	423	425	427	424	426	
External length	a	700	750	1000	700	750 mm
External width	b	1400	1400	1400	1700	1700 mm
Depth	c	65	65	65	65	65 mm
Internal length	d	570	620	870	570	670 mm
Internal width	f	1270	1270	1270	1570	1570 mm
Height of rim	i	32	32	32	32	32 mm
Distance tray edge to centre of drain hole	k	200	200	200	200	200 mm
Diameter of drain hole	m	90	90	90	90	90 mm
Width of rim	s	65	65	65	65	65 mm
Height with support	y <sub>1</sub>	160	160	160	160	160 mm
Weight of the enamelled shower tray in kg		27	29	38	33	35
Anti-slip		856 x 300	856 x 300	856 x 549	856 x 300	856 x 300 mm
Full anti-slip		1195 x 493	1195 x 555	1195 x 804	1501 x 493	1501 x 555 mm



The TÜV Rheinland confirms the following properties of KALDEWEI's anti-slip and full anti-slip finish:

- Assessment group **B** for wet barefoot areas (**DIN 51097**)
- Assessment group **R 10** for slip-resistant properties in work rooms and areas with an increased risk of slipping (**DIN 51130**)