

DUSCHPLAN

- a classic among shower trays
- modern, clear design only 65 mm deep
- available in rectangular or square design
- made of KALDEWEI steel enamel
- flush-fitting recessed waste cover
(only in combination with the KA 90 waste fittings)



Similar illustration

	Combined Tray & Waste depth	Waste fitting depth
KA 90	145	81
KA 90 extra flat	134	70
KA 90 ultra flat	125	61
KA 90 vertical	49	81

See page 275.

Illustration shows Model 392-2

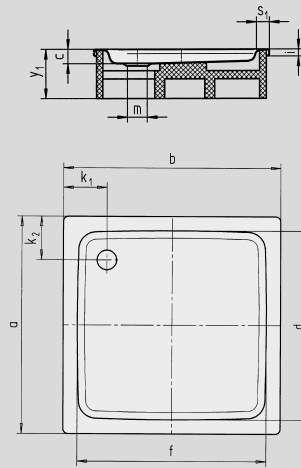
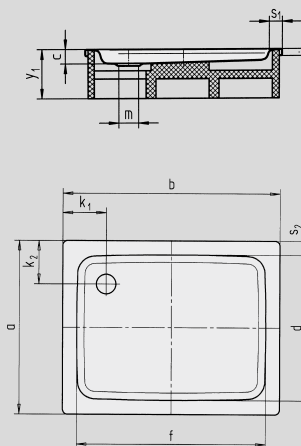


Illustration shows Model 419-2



Model No.		392	419	415	417
External length	a	1000	900	700	750 mm
External width	b	1000	1100	1200	1200 mm
Depth	c	65	65	65	65 mm
Internal length	d	870	770	570	570 mm
Internal width	f	870	970	1070	1070 mm
Height of rim	i	32	32	32	32 mm
Distance tray edge to centre of drain hole	$k_1; k_2$	200	200	200	200, 225 mm
Diameter of drain hole	m	90	90	90	90 mm
Width of rim	$s_1; s_2$	65	65, 65	65, 65	65, 90 mm
Height with support	y_1	160	160	160	160 mm
Weight of the enamelled shower tray in kg		28	28	24	26
Anti-slip		Ø 588	Ø 588	Ø 435	Ø 435 mm