

# FONTANA

- quad shower tray with unusual design
- space-saving shape
- generous standing area with lots of room to move when showering
- made of KALDEWEI steel enamel
- flush-fitting recessed waste cover  
(only in combination with the KA 90 waste fittings)

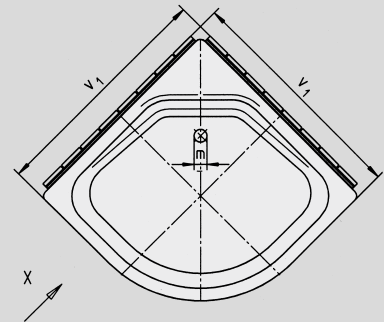
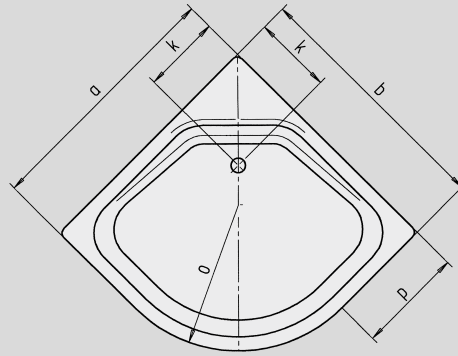
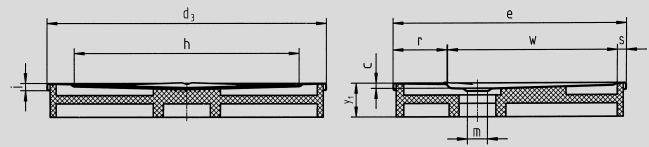


Similar illustration

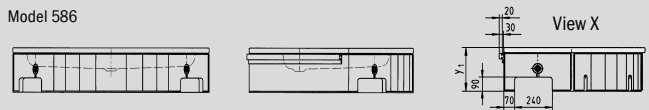
Modell	Combined Tray & Waste depth				Waste fitting depth			
	594	564	583	586	594	564	583	586
KA 90	105	105	145	145	81	81	81	81
KA 90 extra flat	94	94	134	134	70	70	70	70
KA 90 ultra flat	85	85	125	125	61	61	61	61
KA 90 vertical	49	49	49	49	81	81	81	81

See page 275.

Illustration shows Model 564 with support



Model 586



Model No.	594	564	583	586	
External length	a	800	900	800	900 mm
External width	b	800	900	800	900 mm
Depth	c	25	25	65	65 mm
Corner dimension - external length	d <sub>3</sub>	1110	1260	1120	1260 mm
Corner dimension - external width	e	905	1050	910	1050 mm
Corner dimension - internal length	h	885	1030	880	1030 mm
Height of rim	i	32	32	32	32 mm
Distance tray edge to centre of drain hole	k	275	275	275	275 mm
Diameter of drain hole	m	90	90	90	90 mm
External radius	o	520	520	520	520 mm
Side length	p	280	380	280	380 mm
Corner dimension - sitting area	r	200	250	200	250 mm
Width of rim	s	50	50	50	50 mm
Contour height above rim	t <sub>e</sub>	1	1	1	1 mm
External length/width incl. support	v <sub>1</sub>	-	-	830	930 mm
Corner dimension - internal width	w	665	750	670	720 mm
Height with support	y <sub>1</sub>	120	120	215	215 mm
Weight of the enamelled shower tray in kg		18	21	18	21
Anti-slip		Ø 289	Ø 435	Ø 289	Ø 435 mm

Subject to technical alterations, tolerances and errors. Similar illustration.

**KALDEWEI**