

NOVOLA DUO

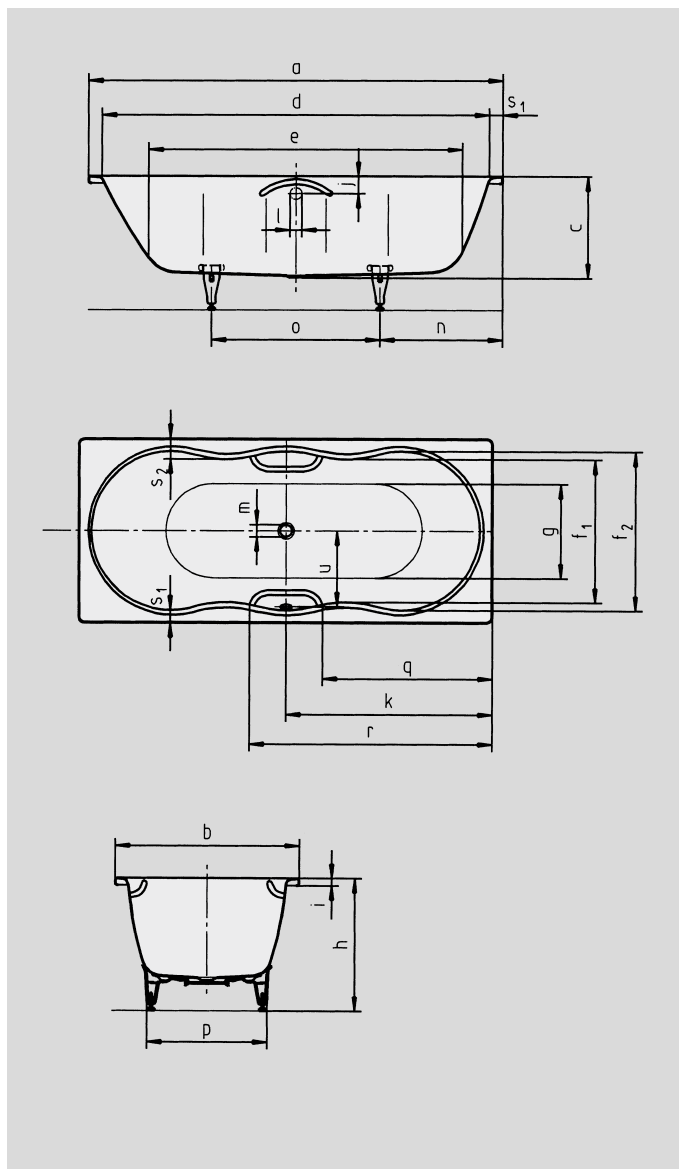
NOVOLA DUO STAR

- with its curved interior contours, this bath will become an eye-catcher in every bathroom
- bathing with a friend: two identical back rests and centrally positioned waste
- made of KALDEWEI steel enamel
- also available with grips



Similar illustration

To order the bath with opposite overflow, please order model xxx2300xxx.



Model No.		256 / 257
External length	a	1800 mm
External width	b	800 mm
Depth	c	440 mm
Internal length (top)	d	1690 mm
Internal length (bottom)	e	1360 mm
Internal width (top)	f ₁ ; f ₂	620; 690 mm
Internal width (bottom)	g	460 mm
Height with feet	h	565-590 mm
Height of rim	i	32 mm
Distance top edge to centre of overflow hole	j	67 mm
Distance bath edge to centre of drain hole	k	900 mm
Diameter of overflow hole	l	52 mm
Diameter of drain hole	m	52 mm
Distance foot end of bath edge to centre of foot	n	480 mm
Distance between the feet	o	780 mm
Max. width of feet	p	500 mm
Distance bath edge (foot end) to where grip/handle starts (Mod. 257)	q	740 mm
Distance bath edge (foot end) to where grip/handle ends (Mod. 257)	r	1058 mm
Width of rim	s ₁ ; s ₂	55; 90 mm
Distance between centre holes	u	337 mm
Water volume** in litres		197
Weight of the enamelled bath in kg		56
Anti-slip		∅ 435 mm
Full anti-slip		900 x 300 mm

Note: The operational system may protrude on some whirl systems.
Please refer to the Technical Information for Whirl Systems for further information.
Subject to technical alterations, tolerances and errors. Similar illustration.
** 70 litres displacement on average.

KALDEWEI