

NOVOLA

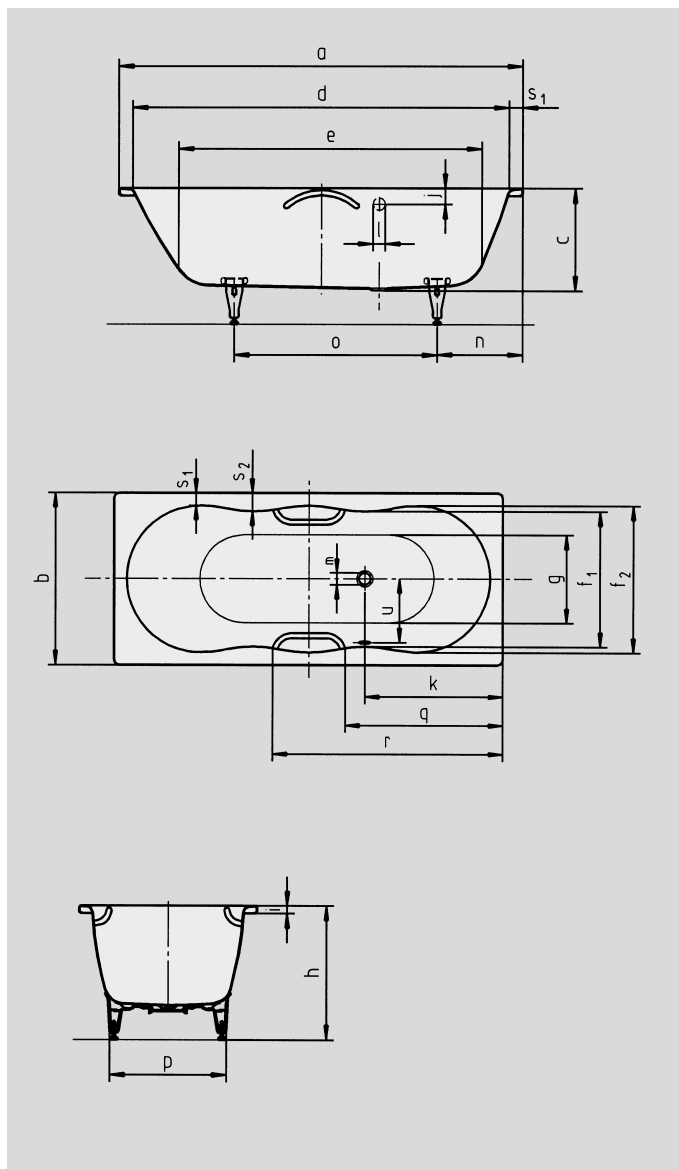
NOVOLA STAR

- with its curved interior contours, this bath will become an eye-catcher in every bathroom
- one-seater bath with side overflow
- made of KALDEWEI steel enamel
- also available with grips



Similar illustration

To order the bath with opposite overflow, please order model xxx2300xxx.



Model No.		252 / 253
External length	a	1700 mm
External width	b	750 mm
Depth	c	440 mm
Internal length (top)	d	1590 mm
Internal length (bottom)	e	1275 mm
Internal width (top)	f ₁ ; f ₂	590; 640 mm
Internal width (bottom)	g	440 mm
Height with feet	h	560-575 mm
Height of rim	i	32 mm
Distance top edge to centre of overflow hole	j	67 mm
Distance bath edge to centre of drain hole	k	605 mm
Diameter of overflow hole	l	52 mm
Diameter of drain hole	m	52 mm
Distance foot end of bath edge to centre of foot	n	490 mm
Distance between the feet	o	685 mm
Max. width of feet	p	480 mm
Distance bath edge (foot end) to where grip/handle starts (Mod. 253)	q	691 mm
Distance bath edge (foot end) to where grip/handle ends (Mod. 253)	r	1009 mm
Width of rim	s ₁ ; s ₂	55; 80 mm
Distance between centre holes	u	313 mm
Water volume** in litres		153
Weight of the enamelled bath in kg		51
Anti-slip		∅ 288 mm
Full anti-slip		900 x 300 mm

Note: The operational system may protrude on some whirl systems.
Please refer to the Technical Information for Whirl Systems for further information.
Subject to technical alterations, tolerances and errors. Similar illustration.
** 70 litres displacement on average.

KALDEWEI