

RONDO 6

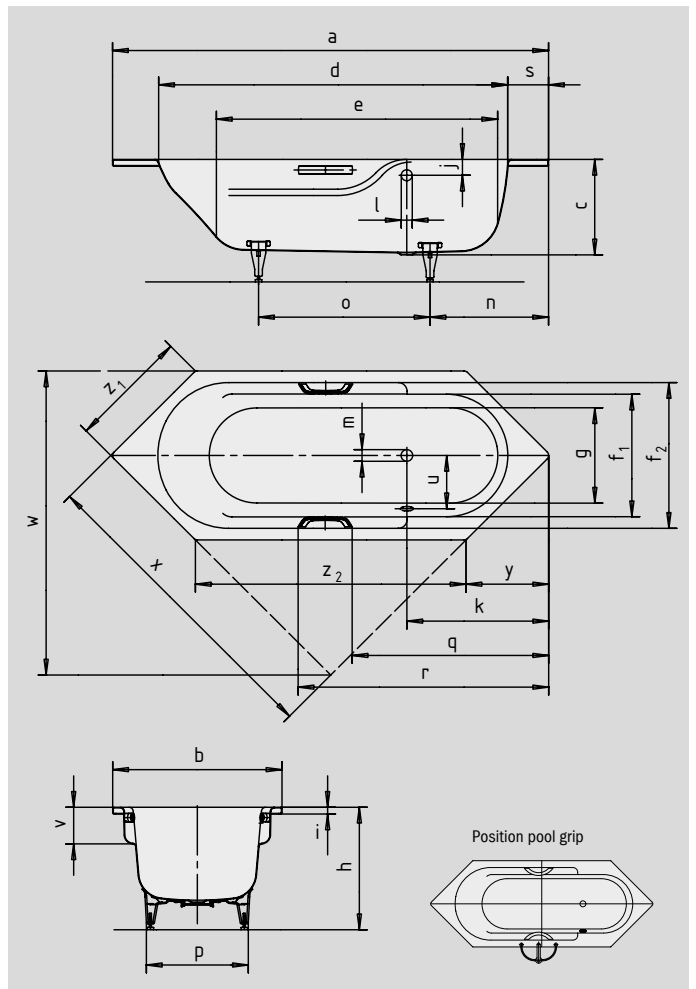
RONDO 6 STAR

- the curvature of the interior contours provides lots of room for the upper part of the body
- wide arm rests for optimum bathing comfort
- diverse installation possibilities, also corner installation
- made of KALDEWEI steel enamel
- also available with grips



To order the bath with opposite overflow, please order model xxxx**2300**xxxx.

Similar illustration



Grip DISCREET OPULENCE



Model No.		706 / 707	716 / 717
External length	a	1970	2060 mm
External width	b	750	800 mm
Depth	c	445	445 mm
Internal length (top)	d	1560	1650 mm
Internal length (bottom)	e	1250	1340 mm
Internal width (top)	f ₁ ; f ₂	530; 635	580; 690 mm
Internal width (bottom)	g	400	450 mm
Height with feet	h	576-601	576-601 mm
Height of rim	i	32	32 mm
Distance top edge to centre of overflow hole	j	75	75 mm
Distance bath edge to centre of drain hole	k	660	670 mm
Diameter of overflow hole	l	52	52 mm
Diameter of drain hole	m	52	52 mm
Distance foot end of bath edge to centre of foot	n	565	575 mm
Distance between the feet	o	730	810 mm
Max. width of feet	p	440	480 mm
Distance bath edge (foot end) to where grip/handle starts (Mod. 707/717)	q	904	929 mm
Distance bath edge (foot end) to where grip/handle ends (Mod. 707/717)	r	1159	1184 mm
Width of rim (foot end)	s	218	213 mm
Distance between centre holes	u	260	285 mm
Armrest depth	v	170	170 mm
Installation dimension	w	1370	1440 mm
Side length	x	1406	1470 mm
Oblique	y	365	390 mm
Side length	z ₁ ; z ₂	530; 1240	565; 1280 mm
Water volume** in litres		130	178
Weight of the enamelled bath in kg		48	54
Anti-slip		∅ 288	∅ 435 mm
Full anti-slip		900 x 300	900 x 300 mm

Note: The operational system may protrude on some whirl systems.
Please refer to the Technical Information for Whirl Systems for further information.
Subject to technical alterations, tolerances and errors. Similar illustration.
** 70 litres displacement on average.