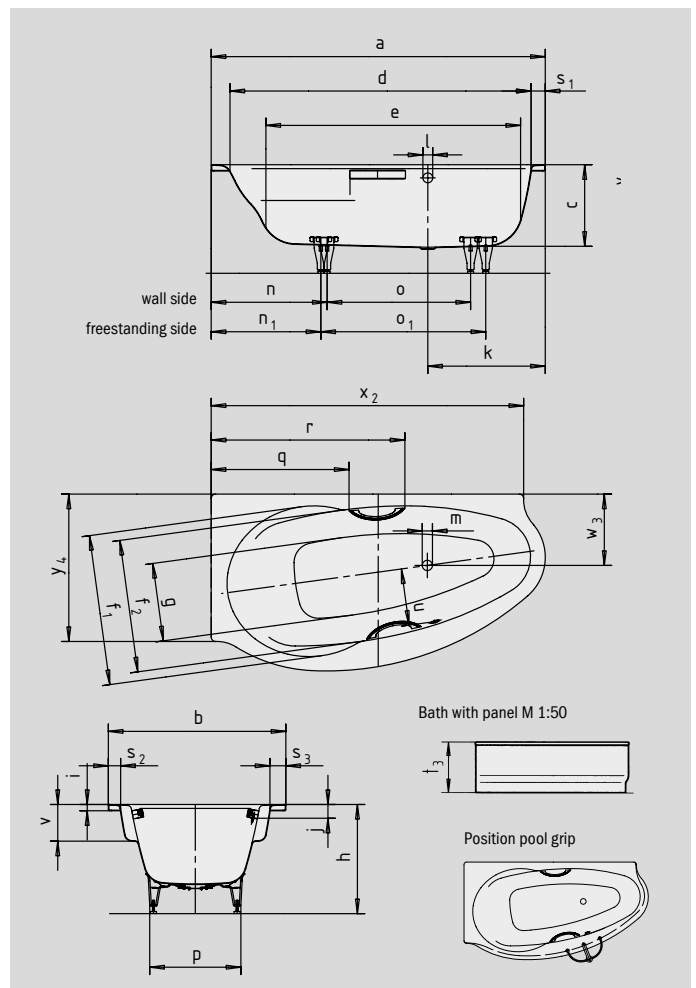


# STUDIO RIGHT STUDIO STAR RIGHT

- harmoniously designed corner bath with left and right installation options
- generously proportioned area for the back and integrated arm rests
- made of KALDEWEI steel enamel
- also available with panel and grips



Similar illustration



## GRIP DISCREET OPULENCE



(not for Mod.  
826-2, 826-3,  
827-2, 827-3)

Model No.		826 / 827
External length	a	1700 mm
External width	b	900 mm
Depth	c	430 mm
Internal length (top)	d	1545 mm
<b>Internal length (bottom)</b>	<b>e</b>	<b>1290 mm</b>
Internal width (top)	f <sub>1</sub> ; f <sub>2</sub>	765; 675 mm
Internal width (bottom)	g	340 mm
Height with feet	h	550-575 mm
Height of rim	i	32 mm
Distance top edge to centre of overflow hole	j	70 mm
Distance bath edge to centre of drain hole	k	600 mm
Diameter of overflow hole	l	52 mm
Diameter of drain hole	m	52 mm
Distance foot end of bath edge to centre of foot	n; n <sub>1</sub>	590; 558 mm
Distance between the feet	o; o <sub>1</sub>	745; 880 mm
Max. width of feet	p	525 mm
Distance bath edge to where grip/handle starts (Mod. 827)	q	702 mm
Distance bath edge to where grip/handle ends (Mod. 827)	r	986 mm
Width of rim (foot end; lengthwise)	s <sub>1</sub> ; s <sub>2</sub> ; s <sub>3</sub>	75; 60; 140 mm
Height with support and panel	t <sub>3</sub>	560 mm
Distance between centre holes	u	290 mm
Armrest depth	v	200 mm
Distance bath (lengthwise) to drain hole	w <sub>3</sub>	363 mm
Side length (lengthwise)	x <sub>2</sub>	1590 mm
Side length (head end)	y <sub>4</sub>	750 mm
Water volume** in litres		149
Weight of the enamelled bath in kg		54
Anti-slip		∅ 288 mm
Full anti-slip		600 x 220 mm

Note: The operational system may protrude on some whirl systems.  
Please refer to the Technical Information for Whirl Systems for further information.  
Subject to technical alterations, tolerances and errors. Similar illustration.  
\*\* 70 litres displacement on average.