

SUPERPLAN PLUS

- elegant, puristic design
- can be installed to be absolutely flush with the floor
- Total height (g) with horizontal waste fitting: 109 mm; fitting height incl. cover 83 mm (compared to tiled shower areas)
- maximum standing comfort thanks to the flat enamelled waste cover that is set flush in the shower tray
- made of KALDEWEI steel enamel
- drainage capacity KA 125: 0,85 l/s
- drainage capacity KA 125 vertical: 1,4 l/s

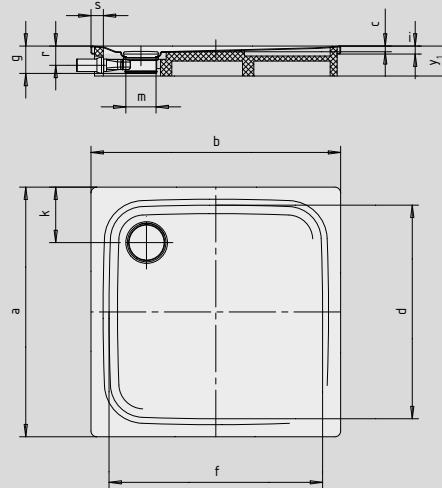


Similar illustration

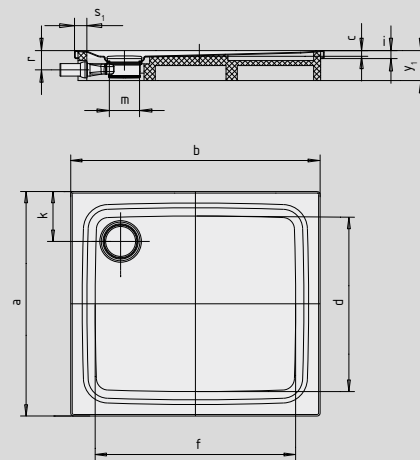
	Combined Tray & Waste depth	Waste fitting depth
KA 125	109	83
KA 125 vertical	49	83

See page 291.

Model 479 with support

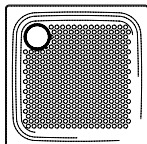


Model 478 with support



SECURE⁺

Model No.		478	479	480
External length	a	900	1000	900 mm
External width	b	1000	1000	1100 mm
Depth	c	25	25	25 mm
Internal length	d	790	870	790 mm
Internal width	f	890	870	990 mm
Height with siphon	g	109	109	109 mm
Height of rim	i	32	32	32 mm
Distance bath edge to centre of drain hole	k ₁ ; k ₂	200	200	200 mm
Diameter of drain hole	m	120	120	120 mm
Siphon connection height	l	78	78	78 mm
Width of rim	s	50	50	50 mm
Height with support	y ₁	120	120	120 mm
Weight of the enamelled shower tray in kg		24	27	26
Anti-slip		Ø 588	Ø 588	Ø 588 mm
Full anti-slip		649 x 781	733 x 781	649 x 853 mm
SECURE PLUS		all-over	all-over	all-over



The TÜV Rheinland confirms the following properties of KALDEWEI's anti-slip, full anti-slip and SECURE PLUS finish:

- Assessment group **B** for wet barefoot areas (**DIN 51097**)
- Assessment group **R 10** for slip-resistant properties in work rooms and areas with an increased risk of slipping (**DIN 51130**)

All SUPERPLAN PLUS models are available either with anti-slip, full anti-slip or SECURE PLUS.

Model 486 with SECURE PLUS or Full anti-slip fits DIN barrier-free 18040-2.

Model 494 with SECURE PLUS or Full anti-slip fits DIN barrier-free 18040-1 and 18040-2.