

SUPERPLAN PLUS

- elegant, puristic design
- can be installed to be absolutely flush with the floor
- Total height (g) with horizontal waste fitting: 109 mm; fitting height incl. cover 83 mm (compared to tiled shower areas)
- maximum standing comfort thanks to the flat enamelled waste cover that is set flush in the shower tray
- made of KALDEWEI steel enamel
- drainage capacity KA 125: 0,85 l/s
- drainage capacity KA 125 vertical: 1,4 l/s

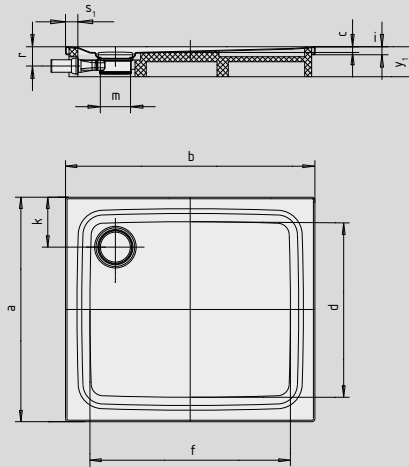


Similar illustration

| | Combined Tray & Waste depth | Waste fitting depth |
|-----------------|-----------------------------|---------------------|
| KA 125 | 109 | 83 |
| KA 125 vertical | 49 | 83 |

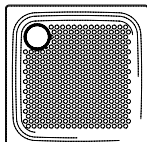
See page 291.

Model 483 with support



SECURE⁺

| Model No. | | 481 | 482 | 483 |
|--|---------------------------------|-----------|-----------|--------------|
| External length | a | 700 | 750 | 800 mm |
| External width | b | 1200 | 1200 | 1200 mm |
| Depth | c | 25 | 25 | 25 mm |
| Internal length | d | 590 | 640 | 700 mm |
| Internal width | f | 1090 | 1090 | 1100 mm |
| Height with siphon | g | 109 | 109 | 109 mm |
| Height of rim | i | 32 | 32 | 32 mm |
| Distance bath edge to centre of drain hole | k ₁ ; k ₂ | 200 | 200; 225 | 200 mm |
| Diameter of drain hole | m | 120 | 120 | 120 mm |
| Siphon connection height | l | 78 | 78 | 78 mm |
| Width of rim | s _{1,2} | 50 | 50; 75 | 50 mm |
| Height with support | y ₁ | 120 | 120 | 120 mm |
| Weight of the enamelled shower tray in kg | | 23 | 24 | 25 |
| Anti-slip | | Ø 435 | Ø 435 | Ø 588 mm |
| Full anti-slip | | 462 x 997 | 524 x 997 | 586 x 997 mm |
| SECURE PLUS | | all-over | all-over | all-over |



The TÜV Rheinland confirms the following properties of KALDEWEI's anti-slip, full anti-slip and SECURE PLUS finish:

- Assessment group **B** for wet barefoot areas (**DIN 51097**)
- Assessment group **R 10** for slip-resistant properties in work rooms and areas with an increased risk of slipping (**DIN 51130**)

All SUPERPLAN PLUS models are available either with anti-slip, full anti-slip or SECURE PLUS.

Model 486 with SECURE PLUS or Full anti-slip fits DIN barrier-free 18040-2.

Model 494 with SECURE PLUS or Full anti-slip fits DIN barrier-free 18040-1 and 18040-2.