

SUPERPLAN XXL

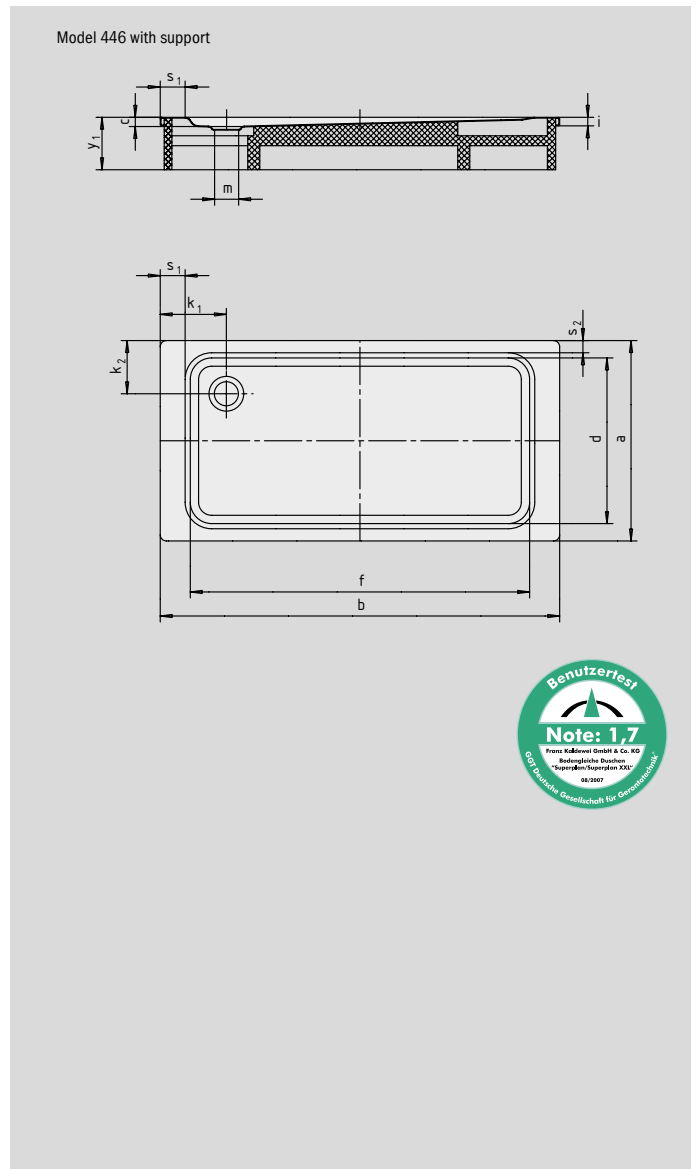
- exclusive, elegant design
- generous dimensions ideal for showering with a friend
- shallow depth ideal for floor level installation and guarantees easy access
- made of KALDEWEI steel enamel
- flush-fitting recessed waste cover (only in combination with the KA 90 waste fittings)



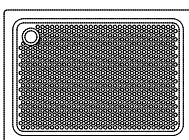
Similar illustration

Modell	Combined Tray & Waste depth				Waste fitting depth			
	438	408	410	446	438	408	410	446
KA 90	105	119	120	120	81	81	81	81
KA 90 extra flat	94	108	109	109	70	70	70	70
KA 90 ultra flat	85	99	100	100	61	61	61	61
KA 90 vertical	49	49	49	49	81	81	81	81

See page 291.



Model No.	438	408	410	446	
External length	a	900	700	750	800 mm
External width	b	1300	1400	1400	1400 mm
Depth	c	25	39	40	40 mm
Internal length	d	790	590	640	640 mm
Internal width	f	1090	1290	1300	1300 mm
Height of rim	i	32	32	32	32 mm
Distance bath edge to centre of drain hole	k ₁ ; k ₂	250; 200	200	200	200; 225 mm
Diameter of drain hole	m	90	90	90	90 mm
Width of rim	s _{1,2}	100; 50	50	50	50; 75 mm
Height with support	y ₁	120	135	135	135 mm
Weight of the enamelled shower tray in kg		31	26	28	29
Anti-slip		856 x 300	856 x 300	856 x 300	300 x 856 mm
Full anti-slip		649 x 997	461 x 1177	524 x 1177	524 x 1177 mm



The TÜV Rheinland confirms the following properties of KALDEWEI's anti-slip and full anti-slip finish:

- Assessment group **B** for wet barefoot areas (**DIN 51097**)
- Assessment group **R 10** for slip-resistant properties in work rooms and areas with an increased risk of slipping (**DIN 51130**)