

# SUPERPLAN XXL

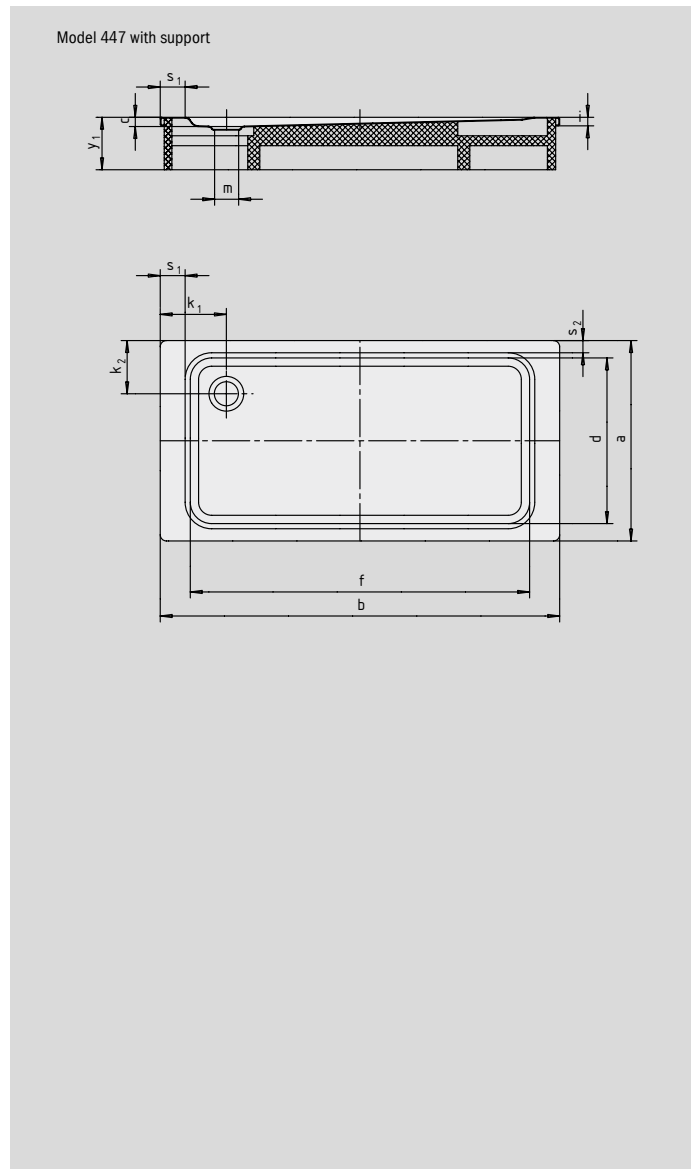
- exclusive, elegant design
- generous dimensions ideal for showering with a friend
- shallow depth ideal for floor level installation and guarantees easy access
- made of KALDEWEI steel enamel
- flush-fitting recessed waste cover (only in combination with the KA 90 waste fittings)



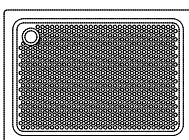
Similar illustration

Modell	Combined Tray & Waste depth				Waste fitting depth			
	429	412	433	435	429	412	433	435
KA 90	123	123	119	120	81	81	81	81
KA 90 extra flat	112	112	108	109	70	70	70	70
KA 90 ultra flat	103	103	99	100	61	61	61	61
KA 90 vertical	49	49	49	49	81	81	81	81

See page 275.



Model No.	429	412	433	435	
External length	a	900	1000	700	750 mm
External width	b	1400	1400	1500	1500 mm
Depth	c	43	43	39	40 mm
Internal length	d	790	890	590	650 mm
Internal width	f	1290	1290	1290	1290 mm
Height of rim	i	32	32	32	32 mm
Distance tray edge to centre of drain hole	k <sub>1</sub> ; k <sub>2</sub>	200	200	250; 200	250; 200 mm
Diameter of drain hole	m	90	90	90	90 mm
Width of rim	s <sub>1,2</sub>	50	50	100; 50	100; 50 mm
Height with support	y <sub>1</sub>	135	135	135	135 mm
Weight of the enamelled shower tray in kg		33	36	27	30
Anti-slip		856 x 549	856 x 549	856 x 300	856 x 300 mm
Full anti-slip		649 x 1177	773 x 1177	461 x 1177	524 x 1177 mm



The TÜV Rheinland confirms the following properties of KALDEWEI's anti-slip and full anti-slip finish:

- Assessment group **B** for wet barefoot areas (**DIN 51097**)
- Assessment group **R 10** for slip-resistant properties in work rooms and areas with an increased risk of slipping (**DIN 51130**)