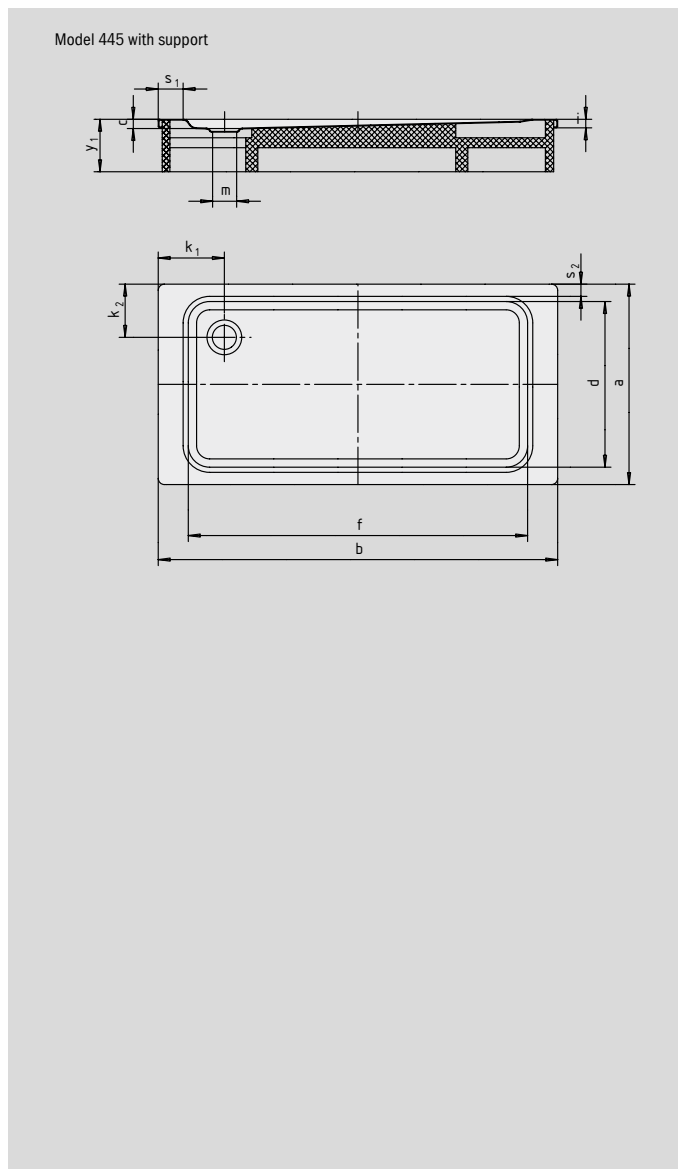


# SUPERPLAN XXL

- exclusive, elegant design
- generous dimensions ideal for showering with a friend
- shallow depth ideal for floor level installation and guarantees easy access
- made of KALDEWEI steel enamel
- flush-fitting recessed waste cover (only in combination with the KA 90 waste fittings)



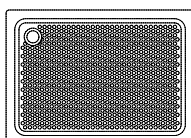
Similar illustration



Modell	Combined Tray & Waste depth			Waste fitting depth		
	437	441	445	437	441	445
KA 90	127	131	131	81	81	81
KA 90 extra flat	116	120	120	70	70	70
KA 90 ultra flat	107	111	111	61	61	61
KA 90 vertical	49	49	49	81	81	81

See page 275.

Model No.	437	441	445	
External length	a	800	900	1000 mm
External width	b	1800	1800	1800 mm
Depth	c	47	51	51 mm
Internal length	d	640	790	790 mm
Internal width	f	1580	1580	1580 mm
Height of rim	i	32	32	32 mm
Distance tray edge to centre of drain hole	k <sub>1</sub> ; k <sub>2</sub>	225; 250	250; 200	250; 250 mm
Diameter of drain hole	m	90	90	90 mm
Width of rim	s <sub>1,2</sub>	100; 75	100; 50	100; 100 mm
Height with support	y <sub>1</sub>	145	145	145 mm
Weight of the enamelled shower tray in kg		37	42	47
Anti-slip		856 x 300	856 x 549	856 x 549 mm
Full anti-slip		527 x 1465	649 x 1465	649 x 1465 mm



The TÜV Rheinland confirms the following properties of KALDEWEI's anti-slip and full anti-slip finish:

- Assessment group **B** for wet barefoot areas (**DIN 51097**)
- Assessment group **R 10** for slip-resistant properties in work rooms and areas with an increased risk of slipping (**DIN 51130**)