

SUPERPLAN XXL

- exclusive, elegant design
- generous dimensions ideal for showering with a friend
- shallow depth ideal for floor level installation and guarantees easy access
- made of KALDEWEI steel enamel
- flush-fitting recessed waste cover
(only in combination with the KA 90 waste fittings)

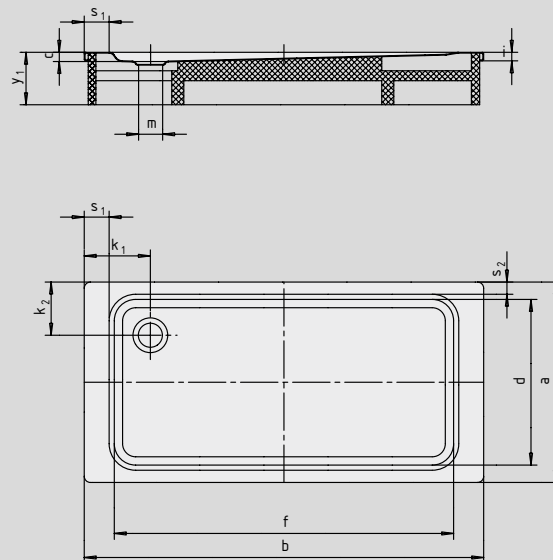


Similar illustration

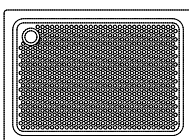
Modell	Combined Tray & Waste depth				Waste fitting depth			
	436	448	440	443	436	448	440	443
KA 90	120	120	123	123	81	81	81	81
KA 90 extra flat	109	109	112	112	70	70	70	70
KA 90 ultra flat	100	100	103	103	61	61	61	61
KA 90 vertical	49	49	49	49	81	81	81	81

See page 275.

Model 440 with support



Model No.	436	448	440	443	
External length	a	750	800	900	1000 mm
External width	b	1600	1600	1600	1600 mm
Depth	c	40	40	43	43 mm
Internal length	d	650	640	790	890 mm
Internal width	f	1280	1300	1280	1280 mm
Height of rim	i	32	32	32	32 mm
Distance tray edge to centre of drain hole	k ₁ ; k ₂	300; 200	300; 225	300; 200	300; 200 mm
Diameter of drain hole	m	90	90	90	90 mm
Width of rim	s ₁ ; s ₂	150; 50	150; 75	150; 50	150; 50 mm
Height with support	y ₁	135	135	135	135 mm
Weight of the enamelled shower tray in kg		31	32	37	41
Anti-slip		856 x 300	300 x 856	856 x 549	856 x 549 mm
Full anti-slip		524 x 1177	524 x 1177	649 x 1177	773 x 1177 mm



The TÜV Rheinland confirms the following properties of KALDEWEI's anti-slip and full anti-slip finish:

- Assessment group **B** for wet barefoot areas (**DIN 51097**)
- Assessment group **R 10** for slip-resistant properties in work rooms and areas with an increased risk of slipping (**DIN 51130**)