

SUPERPLAN

- exclusive, elegant design
- with a depth of 2,5 cm, extremely flat and ideally suited for floor level installation
- made of KALDEWEI steel enamel
- flush-fitting recessed waste cover (only in combination with the KA 90 waste fittings)
- model 399 with full anti-slip conforms to DIN-barrier-free 18025-2

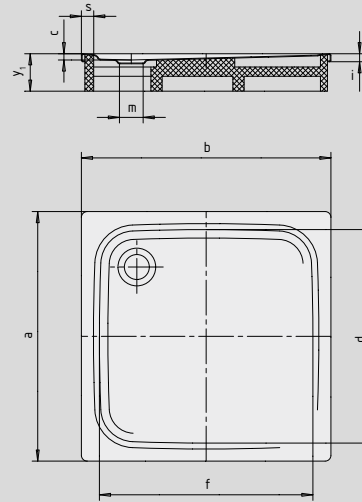


Similar illustration

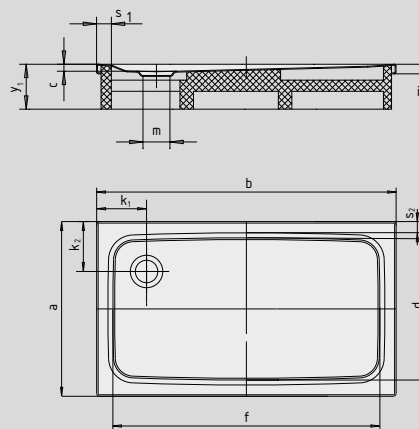
	Combined Tray & Waste depth	Waste fitting depth
KA 90	105	81
KA 90 extra flat	94	70
KA 90 ultra flat	85	61
KA 90 vertical	49	81

See page 275.

Model 391 with support

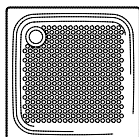


Model 401 with support



SECURE⁺

Model No.		391	405	401
External length	a	1000	900	700 mm
External width	b	1000	1100	1200 mm
Depth	c	25	25	25 mm
Internal length	d	870	790	590 mm
Internal width	f	870	990	1090 mm
Height of rim	i	32	32	32 mm
Distance tray edge to centre of drain hole	k ₁ ; k ₂	200	200	200 mm
Diameter of drain hole	m	90	90	90 mm
Width of rim	s ₁ ; s ₂	50	50	50 mm
Height with support	y ₁	120	120	120 mm
Weight of the enamelled shower tray in kg		27	26	23
Anti-slip		Ø 588	Ø 588	Ø 435 mm
Full anti-slip		733 x 781	649 x 853	461 x 997 mm
SECURE PLUS		all-over	all-over	all-over



The TÜV Rheinland confirms the following properties of KALDEWEI's anti-slip, full anti-slip and SECURE PLUS finish:

- Assessment group **B** for wet barefoot areas (**DIN 51097**)
- Assessment group **R 10** for slip-resistant properties in work rooms and areas with an increased risk of slipping (**DIN 51130**)

All SUPERPLAN models are available either with anti-slip, full anti-slip or SECURE PLUS.

Model 399 with full anti-slip or SECURE PLUS fits DIN barrier-free 18040-2.