

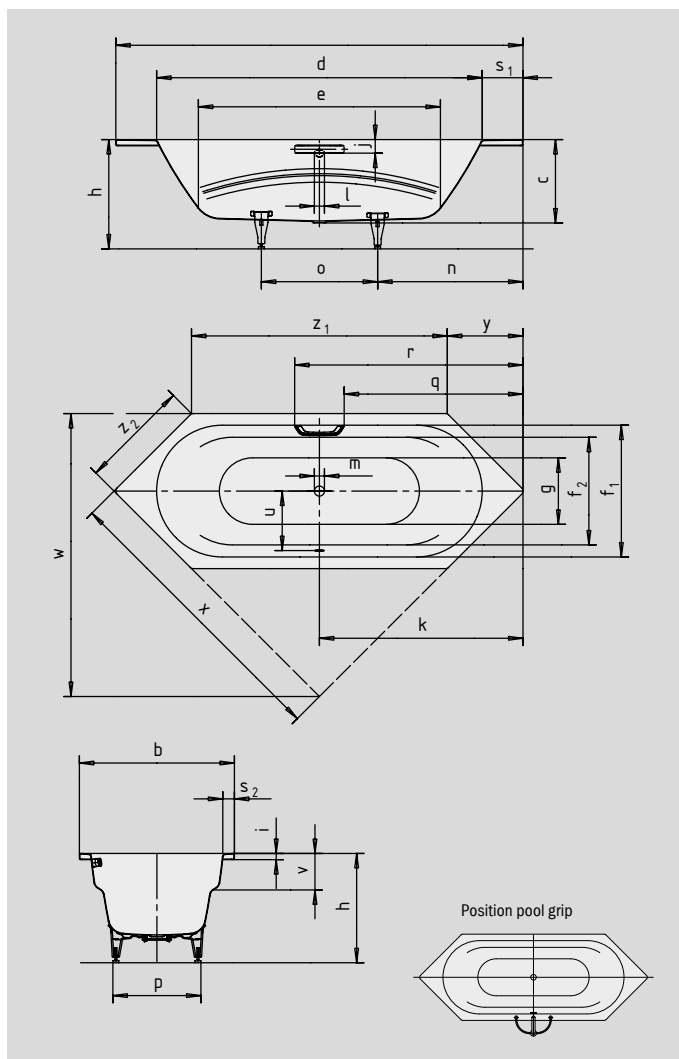
# VAIO DUO 6

- bathing with a friend: two identical back rests and centrally positioned waste
- with integrated arm rests
- diverse installation possibilities, also corner installation
- made of KALDEWEI steel enamel



Similar illustration

To order the bath with pre-drilled grip holes on one side, please order model xxxx**1011**xxxx.



Grip DISCREET OPULENCE



Model No.		952
External length	a	2100 mm
External width	b	800 mm
Depth	c	430 mm
Internal length (top)	d	1680 mm
<b>Internal length (bottom)</b>	<b>e</b>	<b>1248 mm</b>
Internal width (top)	f <sub>1</sub> ; f <sub>2</sub>	680; 555 mm
Internal width (bottom)	g	496 mm
Height with feet	h	550-590 mm
Height of rim	i	32 mm
Distance top edge to centre of overflow hole	j	70 mm
Distance bath edge to centre of drain hole	k	1050 mm
Diameter of overflow hole	l	52 mm
Diameter of drain hole	m	52 mm
Distance foot end of bath edge to centre of foot	n	750 mm
Distance between the feet	o	600 mm
Max. width of feet	p	455 mm
Distance bath edge (foot end) to where grip/handle starts	q	923 mm
Distance bath edge (foot end) to where grip/handle ends	r	1178 mm
Width of rim (foot end; lengthwise)	s <sub>1</sub> ; s <sub>2</sub>	210; 60 mm
Distance between centre holes	u	332 mm
Armrest depth	v	180 mm
Installation dimension; Side length; Oblique	w; x; y	1460; 1499; 390 mm
Side length	z <sub>1</sub> ; z <sub>2</sub>	1320; 566 mm
Water volume** in litres		155
Weight of the enamelled bath in kg		51
Anti-slip		∅ 435 mm
Full anti-slip		900 x 300 mm

Subject to technical alterations, tolerances and errors. Similar illustration.  
 \*\* 70 litres displacement on average.

**KALDEWEI**