

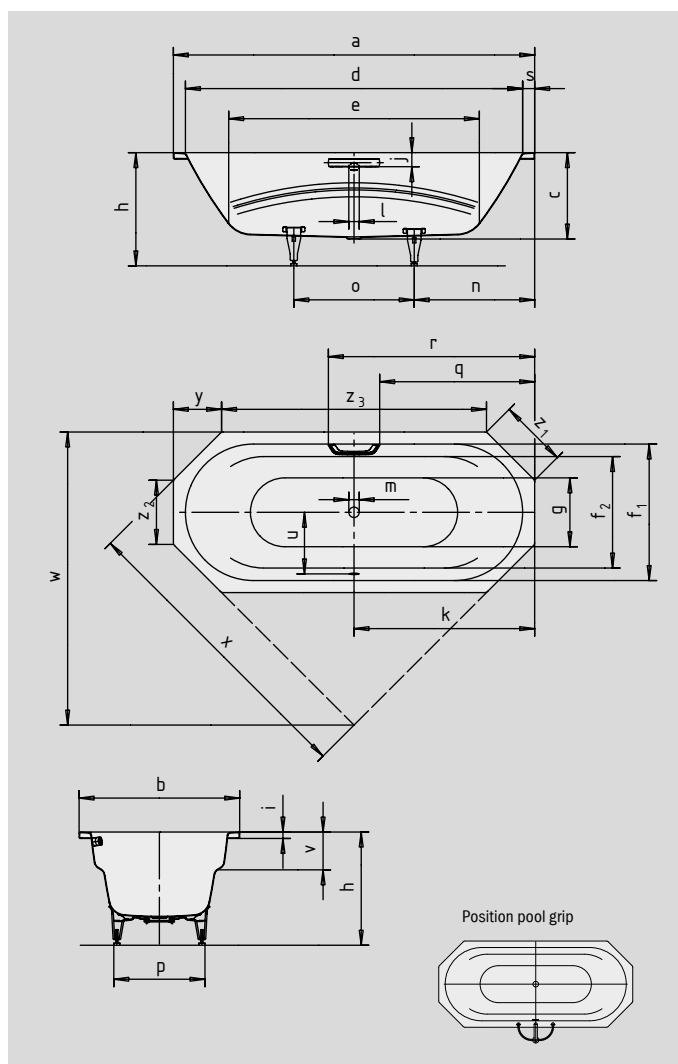
# VAIO DUO 8

- bathing with a friend: two identical back rests and centrally positioned waste
- with integrated arm rests
- diverse installation possibilities, also corner installation
- made of KALDEWEI steel enamel



Similar illustration

To order the bath with pre-drilled grip holes on one side, please order model xxxx**1011**xxxx.



Grip DISCREET OPULENCE



Model No.		953
External length	a	1800 mm
External width	b	800 mm
Depth	c	430 mm
Internal length (top)	d	1680 mm
<b>Internal length (bottom)</b>	<b>e</b>	<b>1248 mm</b>
Internal width (top)	f <sub>1</sub> ; f <sub>2</sub>	680; 555 mm
Internal width (bottom)	g	496 mm
Height with feet	h	550-590 mm
Height of rim	i	32 mm
Distance top edge to centre of overflow hole	j	70 mm
Distance bath edge to centre of drain hole	k	900 mm
Diameter of overflow hole	l	52 mm
Diameter of drain hole	m	52 mm
Distance foot end of bath edge to centre of foot	n	600 mm
Distance between the feet	o	600 mm
Max. width of feet	p	455 mm
Distance bath edge (foot end) to where grip/handle starts	q	772 mm
Distance bath edge (foot end) to where grip/handle ends	r	1028 mm
Width of rim (foot end)	s	60 mm
Distance between centre holes	u	332 mm
Armrest depth	v	180 mm
Installation dimension; Side length; Oblique	w; x; y	1460; 1499; 240 mm
Side length	z <sub>1</sub> ; z <sub>2</sub> ; z <sub>3</sub>	340; 320; 1320 mm
Water volume** in litres		155
Weight of the enamelled bath in kg		49
Anti-slip		∅ 435 mm
Full anti-slip		900 x 300 mm

Subject to technical alterations, tolerances and errors. Similar illustration.  
 \*\* 70 litres displacement on average.

**KALDEWEI**