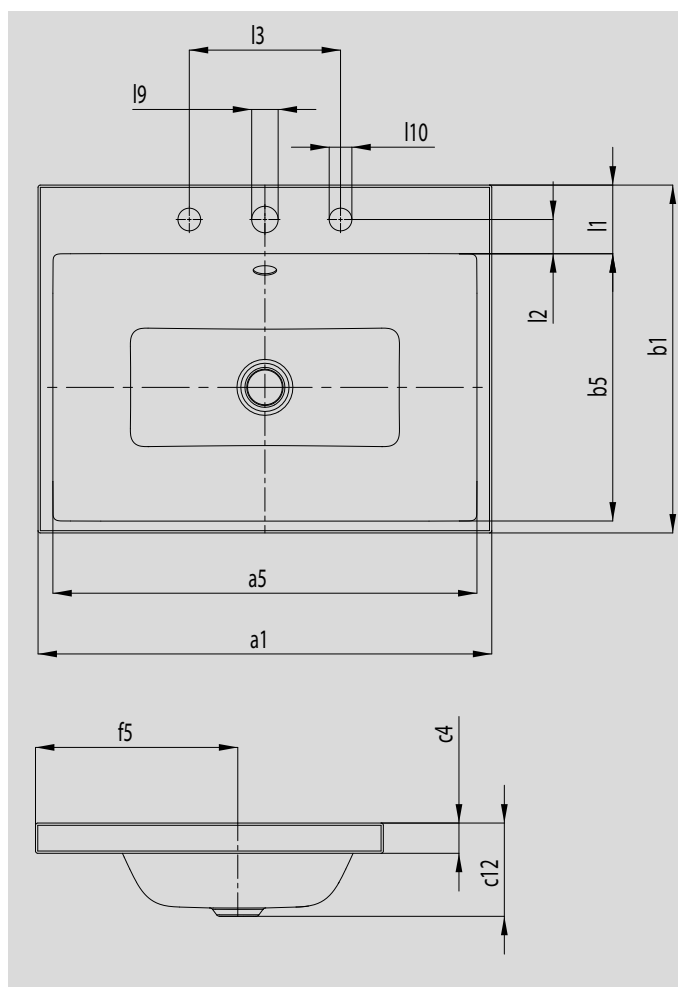


# PURO INSET COUNTERTOP WASHBASIN

(HEIGHT OF RIM 40 MM)

- elegant rectangular washbasin in a classically minimalist design
- reduced precise edges
- very generous interior dimensions
- clean and timeless lines – immortalised in long-lasting KALDEWEI steel enamel
- harmonises perfectly with the PURO bath series
- designed by Anke Salomon



Similar illustrations

Model No.		3153	3154	3155
External length	a1	460	600	900 mm
Internal length	a5	421	561	860 mm
External width	b1	460	460	460 mm
Internal width	b5	354	354	354 mm
Height of rim	c4	40	40	40 mm
Distance basin surface to bottom edge of waste hole	c12	115	125	125 mm
Distance outer edge to centre of waste hole	f5	267,5	267,5	267,5 mm
Depth of tap deck	l1	90,5	90,5	90,5 mm
Distance tap holes to edge	l2	45	45	45 mm
Distance of tap holes	l3	200	200	200 mm
Diameter of centre tap hole	l9	35	35	35 mm
Diameter of outside tap holes (3 tap holes only)	l10	30	30	30 mm
Weight of the enamelled washbasin in kg		6,4	7,6	10,7

Subject to technical alterations, tolerances and errors. Similar illustrations.

**KALDEWEI**