

ZIRKON

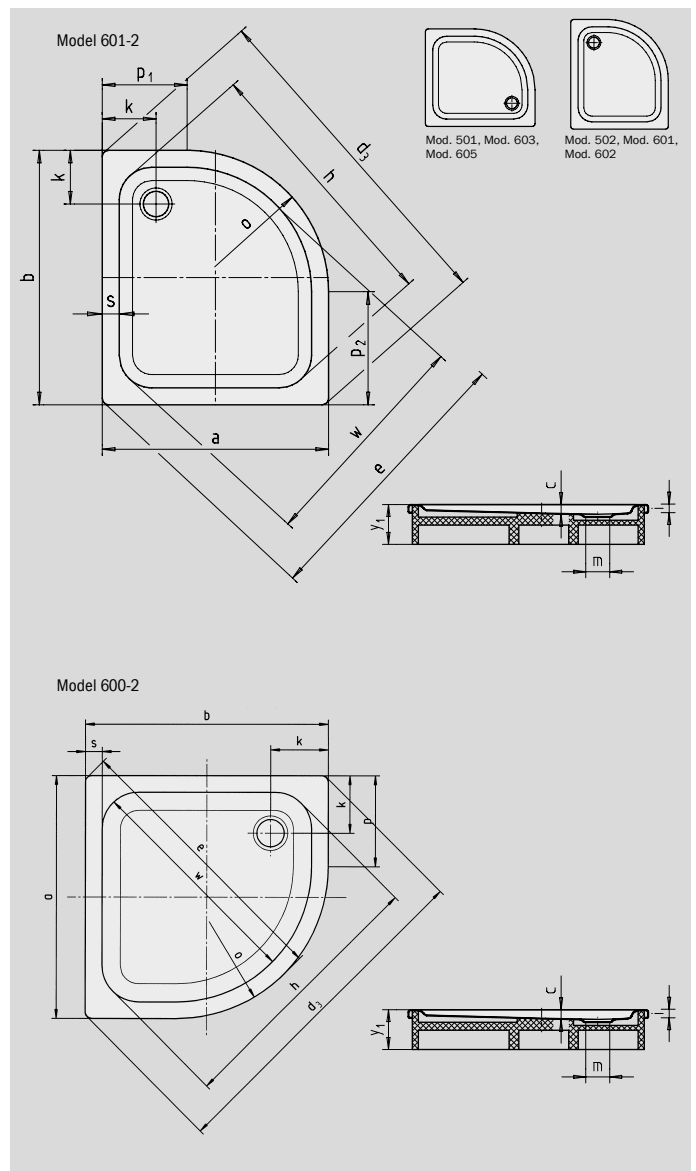
- clear design, large standing area
- side waste
- elegant, functional quadrant form allows it to be intelligently installed even in the smallest of spaces
- made of KALDEWEI steel enamel
- flush-fitting recessed waste cover (only in combination with the KA 90 waste fittings)



Similar illustration

	Combined Tray & Waste depth	Waste fitting depth
KA 90	115	81
KA 90 extra flat	104	70
KA 90 ultra flat	95	61
KA 90 vertical	49	81

See page 275.



Model No.		501	600	603	605	502	601	604	602	606
External length	a	900	800	900	1000	750	800	900	800	1000 mm
External width	b	750	800	800	800	900	900	900	1000	1000 mm
Depth	c	35	35	35	35	35	35	35	35	35 mm
Corner dimension - external length	d ₃	1155	1115	1185	1262	1155	1185	1256	1262	1397 mm
Corner dimension - external width	e	964	916	990	1075	964	990	1057	1075	1198 mm
Corner dimension - internal length	h	910	866	940	1020	910	940	1007	1020	1150 mm
Height of rim	i	32	32	32	32	32	32	32	32	32 mm
Distance tray edge to centre of drain hole	k	190	190	190	190	190	190	190	190	190 mm
Diameter of drain hole	m	90	90	90	90	90	90	90	90	90 mm
External radius	o	500	500	500	500	500	500	500	500	500 mm
Side length	p	-	300	-	-	-	-	400	-	500 mm
Side length	p ₁	400	-	400	500	250	300	-	300	- mm
Side length	p ₂	250	-	300	300	400	400	-	500	- mm
Width of rim	s	60	60	60	60	60	60	60	60	60 mm
Corner dimension - internal width	w	792	730	812	903	792	812	870	903	1015 mm
Height with support	y ₁	130	130	130	130	130	130	130	130	130 mm
Weight of the enamelled shower tray in kg		17	17	19	21	17	19	22	21	25
Anti-slip		Ø 435	Ø 435	Ø 435	Ø 435	Ø 435	Ø 435	Ø 435	Ø 435	Ø 588 mm